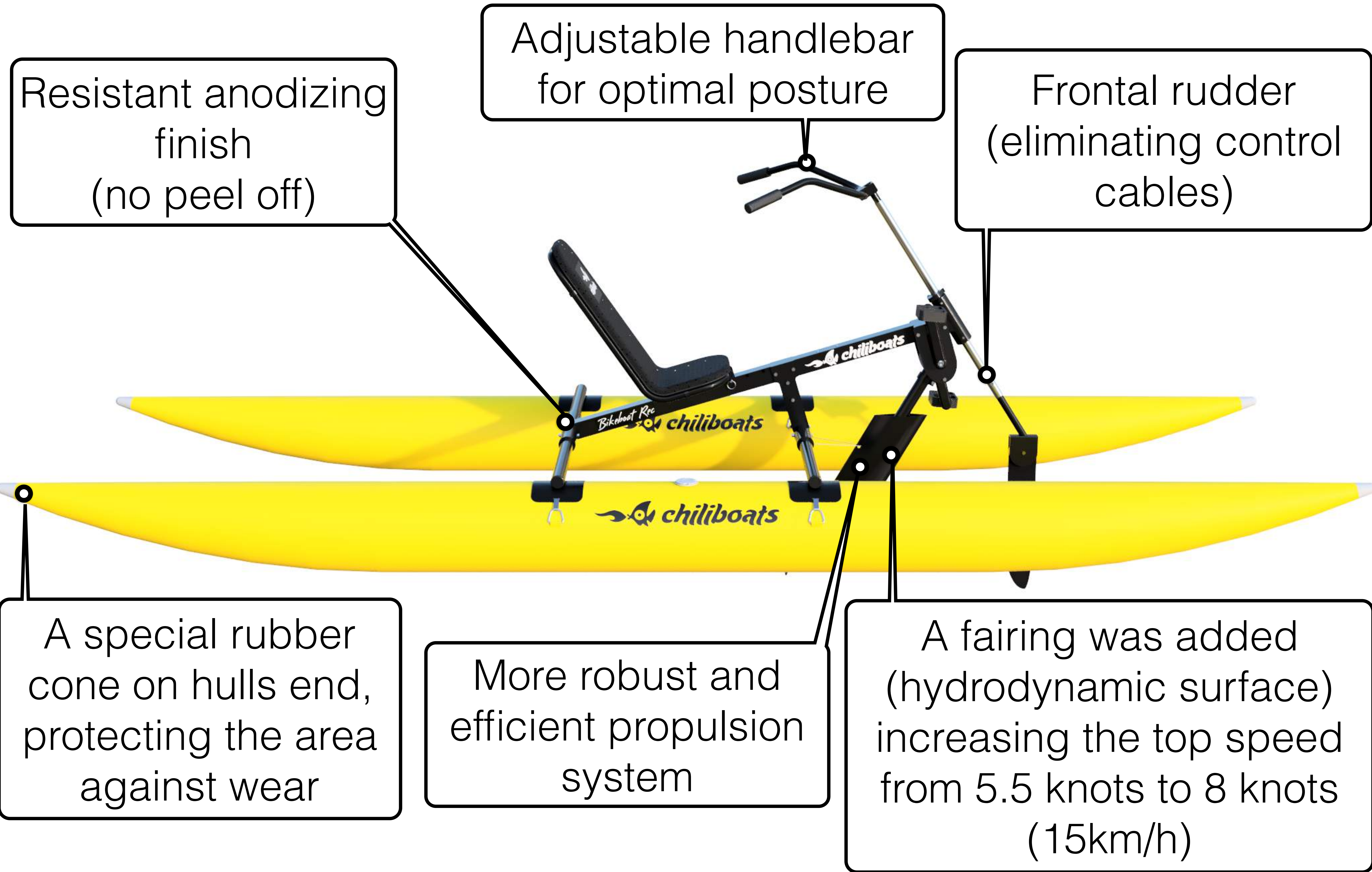


# Bikeboat Rec

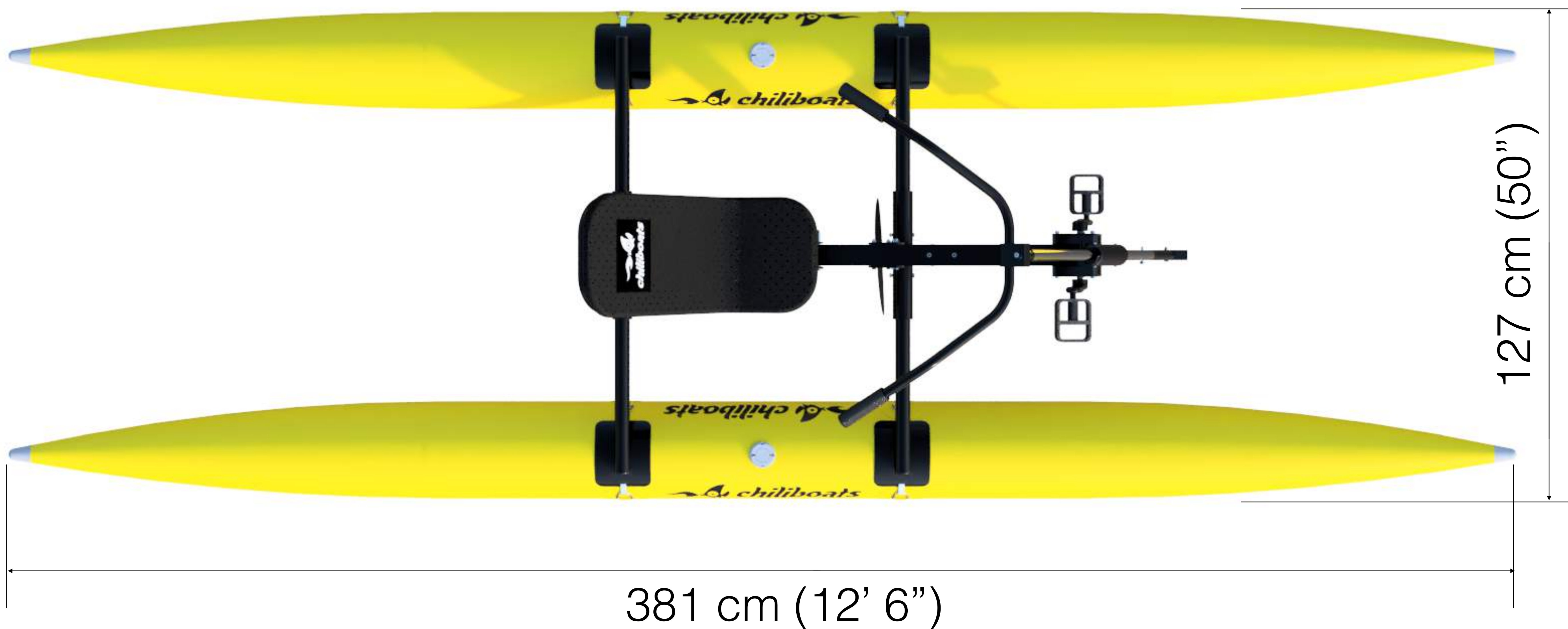




## Important features of the Bikeboat Rec



## Dimensions of the Bikeboat Rec





# Bikeboat Up





## Important features of the Bikeboat Up

A fairing was added (hydrodynamic surface) increasing the top speed from 5.5 knots to 8 knots (15km/h)

Adjustable handlebar for optimal posture

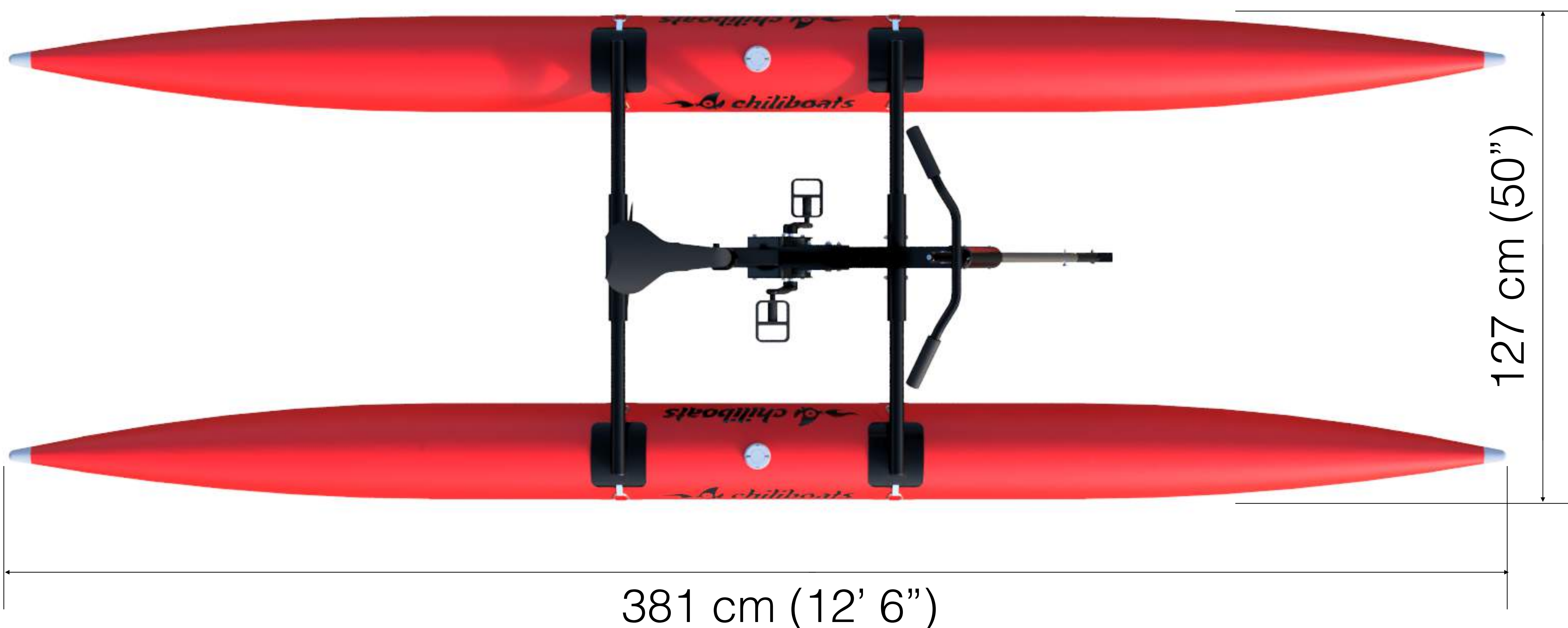
Frontal rudder (eliminating control cables)

A special rubber cone on hulls end, protecting the area against wear

More robust and efficient propulsion system

Resistant anodizing finish (no peel off)

## Dimensions of the Bikeboat Up





# *Bikeboat Rec & Bikeboat Up*

The **Bikeboat** (in two versions: Recumbent and Up) is a **high performance water bike**. It is light and easy to use, drive and clean. The catamaran configuration offers great stability.

**Bikeboat is the fastest and the most efficient! You can pedal for much longer without getting tired.**

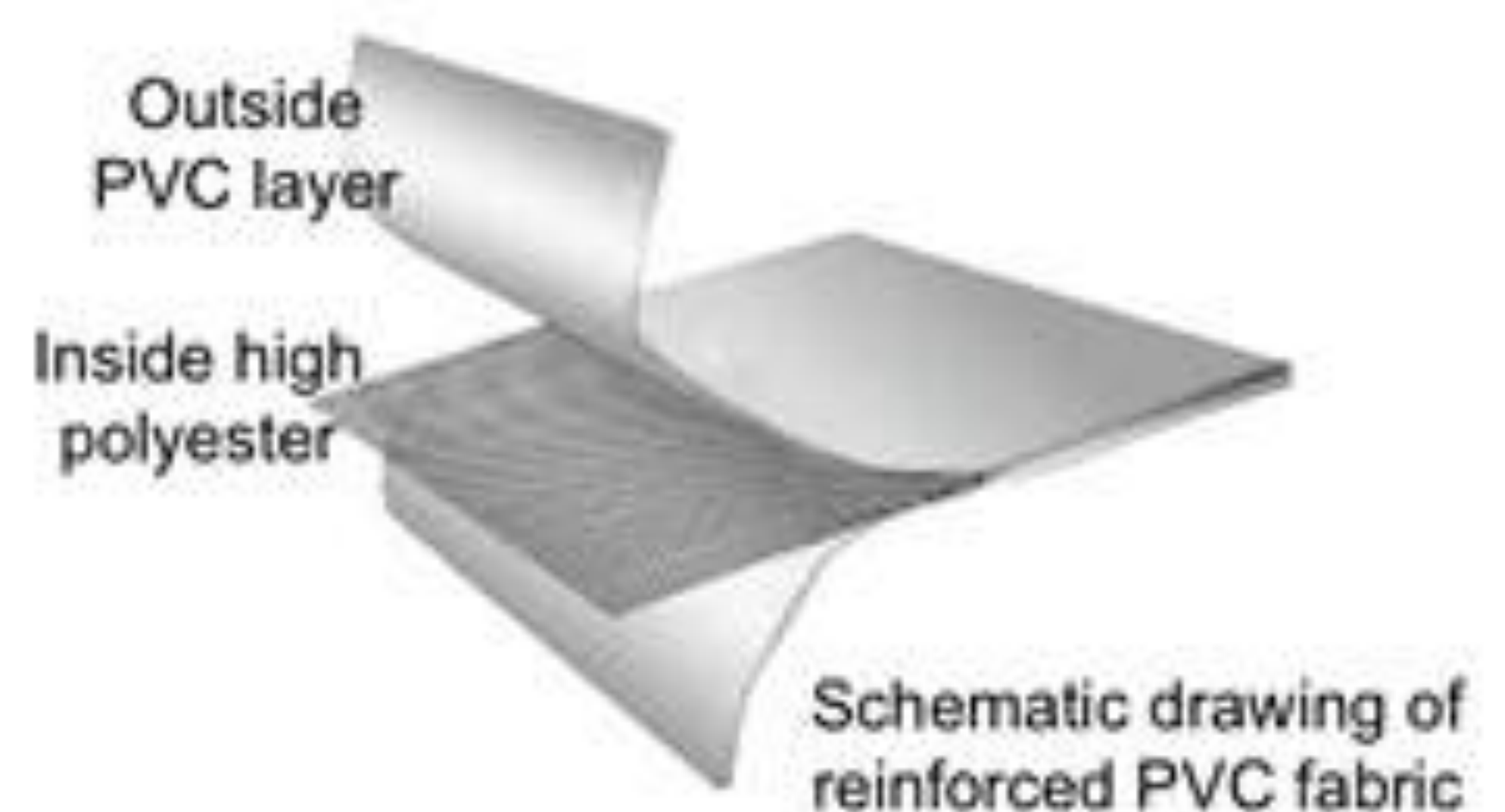
## ***Technical Specifications of Bikeboat Rec and Bikeboat Up:***

- *Catamaran configuration*
- *Aluminum structure*
- *Resistant anodizing finish in black (no peel off, tougher than any type of paint)*
- *Interchangeable peppers (floats)*
- *Compact and efficient propulsion system*
- *Articulable rudder*
- *Adjustable seat (distance from seat to pedals)*
- *Ergonomic seat*
- *Boat total weight: 43 lbs*
- *Boat total weight with its accessories: 48.5 lbs*
- *Maximum speed: 8 knots (15km/h)*
- *Can be assembled in less than 6 minutes*
- *Maximum weight: 265 lbs*
- *Bag dimensions: 80 x 46 cm*

***Available in 2 colors: red and yellow***

## ***Material of the peppers (floats):***

- *Floats are made with reinforced PVC fabric resistant to extreme conditions*
- *Outside PVC layer offers: abrasion resistance*
- *Inside high polyester fabric offers: dimensional stability, tensile and tear strength*



***Accessories: backpack and double action hand pump.***